

INRAD #109 "S BOARD" for adapting Collins mechanical filters to 75S-3B.

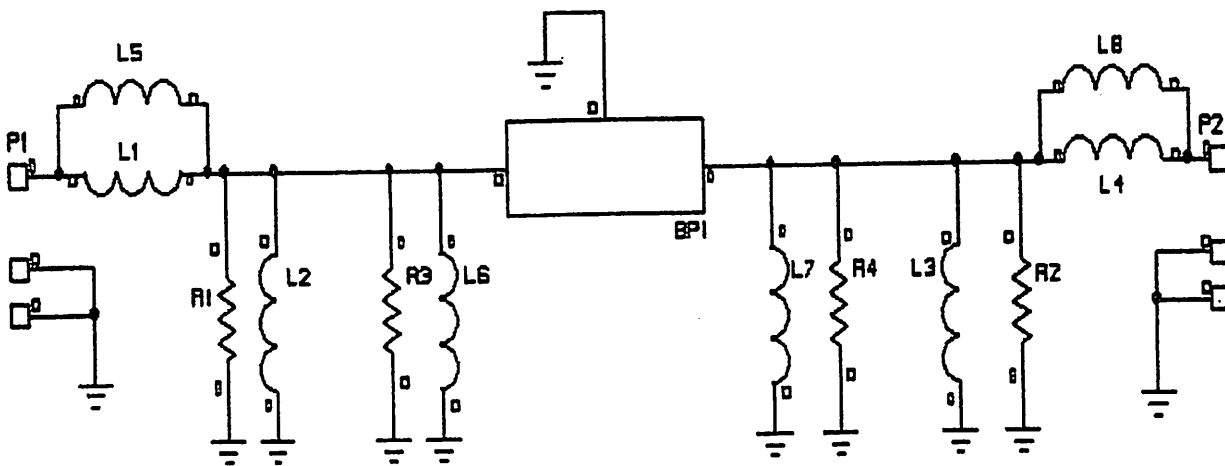
This board was discontinued from production September 2017.

2 build options. Use only 4 inductors L1-L4 or L5-L8. The circuit does not use 8 inductors. Use only 2 resistors R1-R2 or R3-R4. Both sets are included on the schematic for illustrative purposes.

Build option 1 is through-hole components.

Build option 2 surface mount.

Mouser part numbers may be subject to change.



Build Option 1

- 1) Load L1, L2, L3 and L4 with Mouser part 434-22-471 (470 uHy inductor)
- 2) Load R1 and R2 with Mouser 271-3.0K (3.0 KOhm, 0.25 Watt MF resistor)
- 3) Load P1 and P2 with part 3111-2-00-21-0000-00-0, 3 each
- 4) No Load BPI

Build Option 2

- 1) Load L5, L6, L7 and L8 with Mouser part 435-10-471K (470 uHy SMT inductor)
- 2) Load R3 and R4 with Mouser 290-3.0K (3.0 KOhm, 0.25 Watt 1206 SMT resistor)
- 3) Load P1 and P2 with part 3111-2-00-21-0000-00-0, 3 each
- 4) No Load BPI

